



Chrome electric grill



CME 610 SLKC.

Half-ridged, half smooth chrome electric grill.

- Same features as model CME 610 SLK, but in chrome finish.
- 30 μ (micron) hard chrome coating.
- Bac de récupération amovible, capacité: 1,5 litre.
- Variable power control switch and automatic temperature limitation to 300°C.

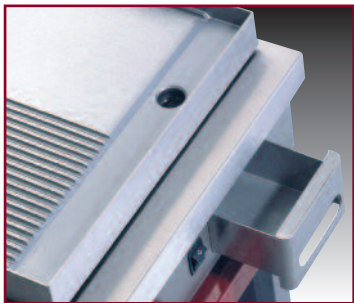
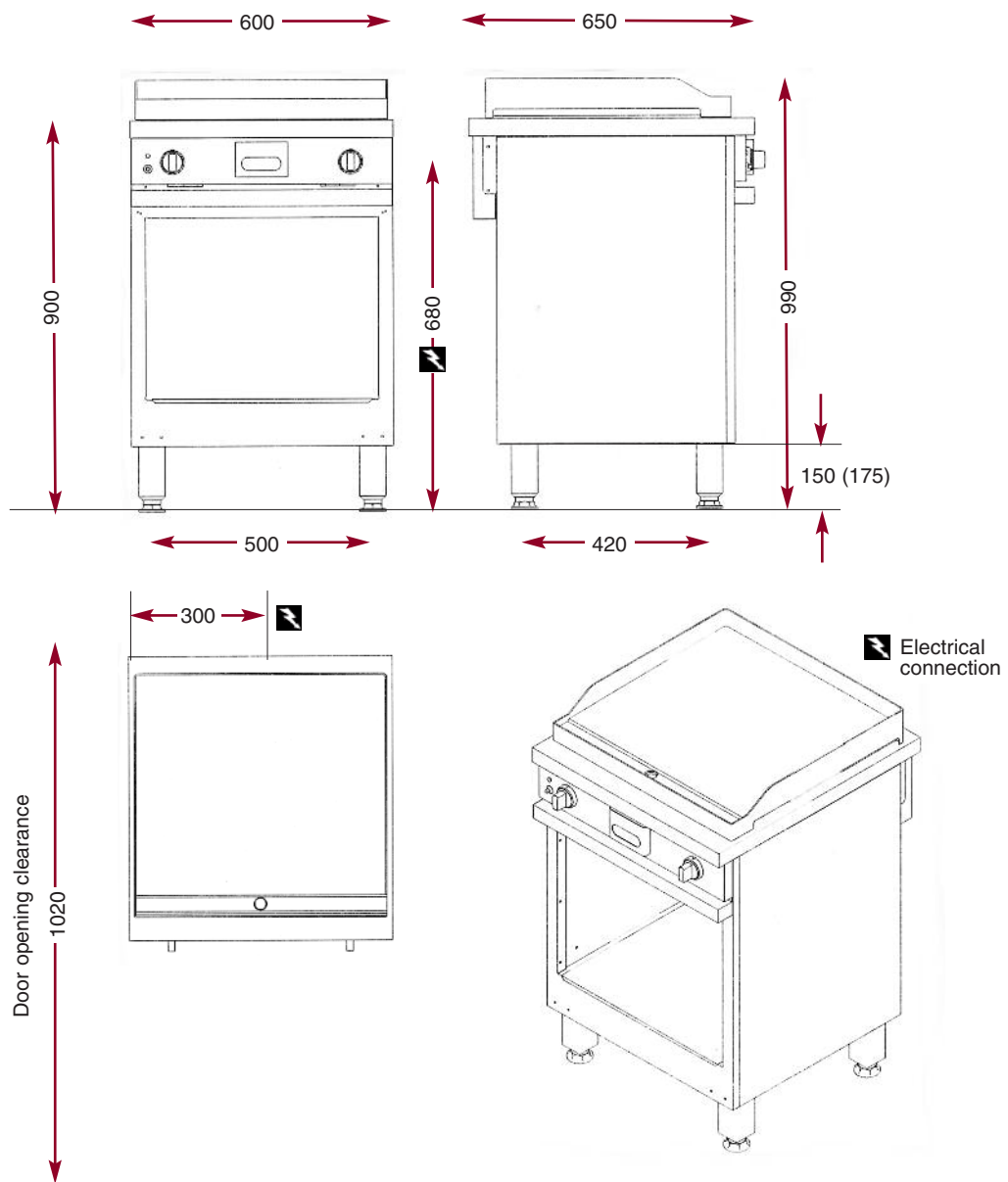
CME 610 SLKC

W 600 - D 650 - H 900

Door option 600.

CPM 600

Half-ridged, half smooth chrome electric grill CME 610 SLKC



Oil trap.



The Chef's Choice.